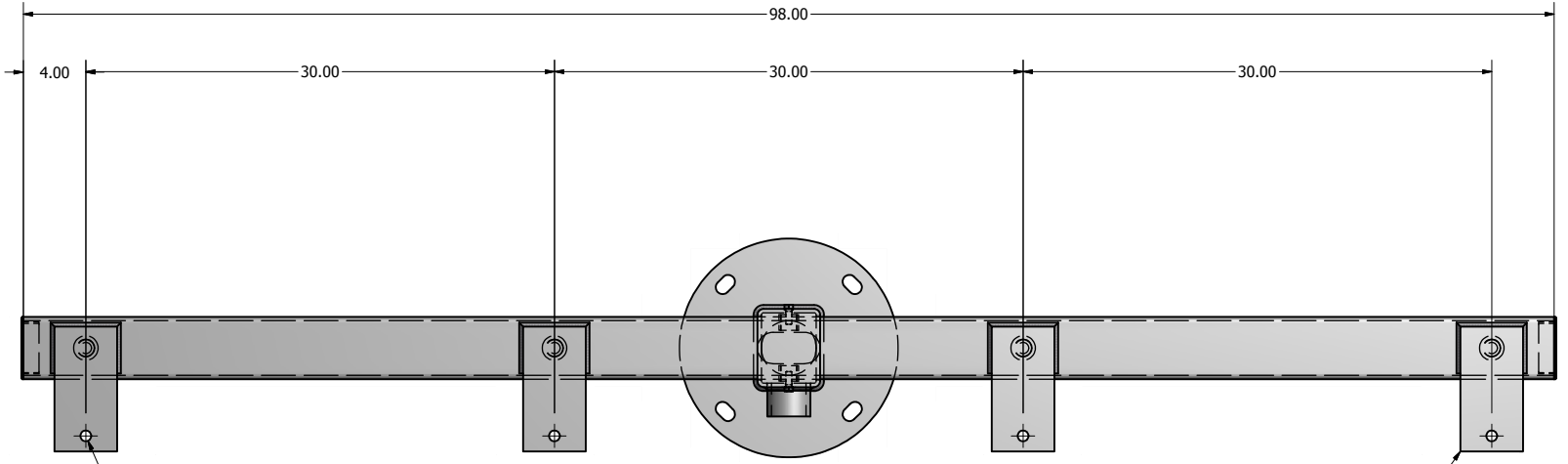


TOP MOUNTED CROSS ARM			
CATALOG #	FIXTURE QTY.	EPA (SQ. FT.)	WEIGHT (LBS.)
CRT-04	4	3.0	142



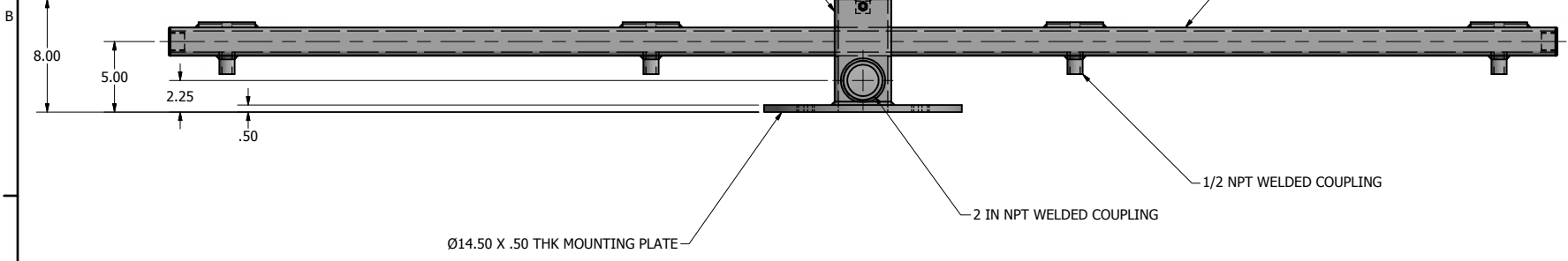
DRILLED PER FIXTURE REQUIREMENTS

.38 X 4.00 X 8.00 FIXTURE MOUNTING PLATE

.25 X 4.00 X 5.00 RECTANGULAR TUBE

REMOVABLE CAP

.25 X 2.00 X 4.00 RECTANGULAR TUBE



Ø14.50 X .50 THK MOUNTING PLATE

2 IN NPT WELDED COUPLING

1/2 NPT WELDED COUPLING

FINISH: TOP MOUNTED CROSS ARM BRACKET TO BE FINISHED TO MATCH POLE.

SOME GEOGRAPHICAL AREAS HAVE SPECIAL WIND CONDITIONS THAT CAN CREATE WIND INDUCED VIBRATIONS CAUSING A FATIGUE PROBLEM. NO METHOD HAS YET BEEN FOUND FOR PREVENTING OR DESTROYING LIGHTNING RODS. THE CONDITIONS ARE REQUIREMENTS AND CANNOT BE GUARANTEED AGAINST, AND ARE THE RESPONSIBILITY OF A LOCAL SITE ENGINEER.

TITLE:

CATALOG:

DWG NO: CRT-04
 SIZE: C
 SHEET 1 OF 1

23171 Groesbeck Hwy.
 Warren, MI 48089
 P: (586) 774-6105 | F: (586) 774-5706
 www.generalstructuresinc.com

GENERAL STRUCTURES INC.
 A DWM COMPANY

DRAWN: M. HARVALA	2/19/2015
CHECKED:	DATE:
REVISION:	APPROVED:
QUOTE:	S.O.#
REF:	SCALE: NONE

